

# RADA



## FOCUS ON WHAT MATTERS

### AI TRACKING CAMERA

KEY FEATURES:

**Dual  
Camera  
System**

Superb High-Definition  
Image

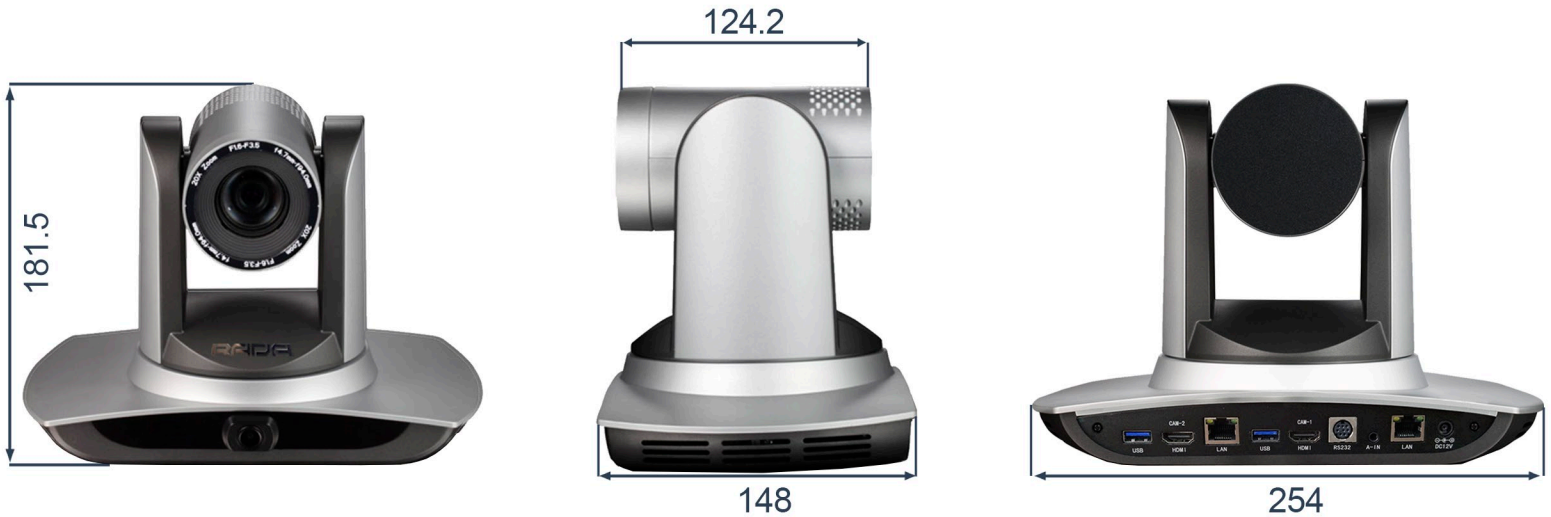
**Intelligent  
Tracking**

Fast, Accurate  
and Stable

**Multiple  
Outputs**

HDMI, USB and  
Network

# PRODUCT ARCHITECTURE



### Dual Camera System

Built-in wide angle camera to capture the presenter and background; tracking camera that always focuses on the presenter.

### Advanced Tracking Algorithms

Technology makes sure that the presenter is always tracked steadily and accurately thanks to advanced human detection and tracking image processing. Camera movement can be adjusted to achieve maximum smoothness.

### Wide Compatibility

Supported in popular video conferencing applications as well as recording and streaming software, such as Zoom, Skype, and OBS among others.

### Auto-Zoom Adjustment

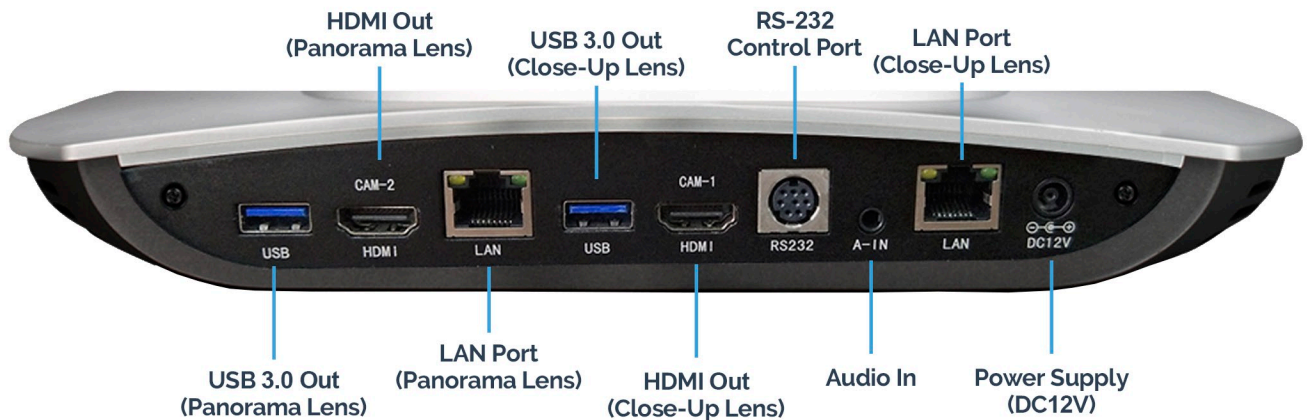
Camera will automatically adjust zoom level according to the tracking preset to achieve the best image results in terms of size and proportion.

### Anti-Interference

Once the tracking target is locked, the camera is not affected by activity of other moving objects. Camera will always focus on the presenter in a designated area.

- Ultra Wide Dynamic Exposure Function
- 1/2.8" High Quality CMOS Sensor
- H.264/H.264+ Video Compression
- ONVIF, RTSP, RTMP compatible protocols
- Low Power Consumption
- Step Driving Motor Mechanism

## CONNECTION DIAGRAM





## TECHNICAL SPECIFICATIONS

Model Name	A-TC01 Auto Tracking Camera
<b>Camera</b>	
Lens and Focus	20x optical zoom / 10X digital zoom
Focal Length	f=4.7~94mm
F Number	F1.6 ~ F3.5
Field of View	2.9°(narrow)~55.4°(wide)
Image Sensor	1/2.8 inch high quality HD CMOS sensor
Video Compression	H.264,H.265
Minimum Illumination	0.5Lux (F1.8, AGC ON)
White Balance	Manual/Auto/One Push/ 3000K/4000K/5000K/6500K /
Video Output	HDMI、USB 3.0、LAN
Output Resolution	1080P60/50/30/25/59.94/29.97, 1080I60/50/59.94, 720P60/50/30/25 / 59.94 / 29.97
Image Auto Adjustment	BLC: ON-OFF / 2D & 3D digital noise reduction / WDR: OFF-Dynamic Range adjustment / Electronic Shutter: Auto-Manual
Image Settings	Brightness / Hue / Saturation / Contrast Ratio / Sharpness / Gamma
SNR	>55dB
Pan/Tilt Rotation	Horizontal -170°~+170° / Vertical -30°~+90°
Pan/Tilt Speed	Horizontal 0.1 ~100°/s / Vertical 0.1~45°/s
<b>Panoramic Lens</b>	
Image Sensor	1/2.8 inch high quality HD CMOS sensor
Lens	Manual focus
Video Output	HDMI、USB 3.0、LAN
Field angle (D/H/V)	112° /82° /57.6°
<b>Network and Control</b>	
Network Interface	100M Internet access (10/100BASE-TX) 5G WiFi (optional), Network VISCA control protocol
Control Port	RS-232/485
Control Protocol	VISCA/Pelco-D/Pelco-P; Baud rate: 115,200/9,600/4,800/2,400bps
Network Protocol	RTSP,RTMP,ONVIF,GB/T28181
Preset Positions	User can set up to 255 presets at most (10 presets of mobile control)
<b>General</b>	
Operating Temperature	-10°C ~+50°C
Humidity	20%~80%
Dimension (L x W x H)	254mm X 144mm X 174mm
Weight	1.50kg
Power Supply	Input AC110V-AC220V - Output DC12V/2.5A
Power Consumption	18W (Max.)
Accessories	Quick guide / 12V/2.5A power adapter / remote controller / RS-232 cable / USB 3.0 cable